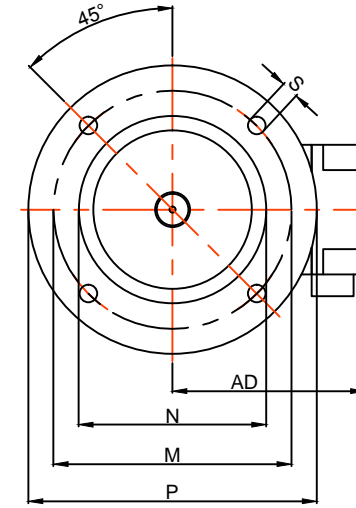
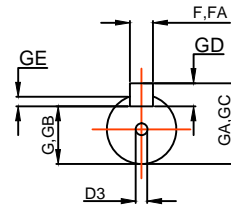
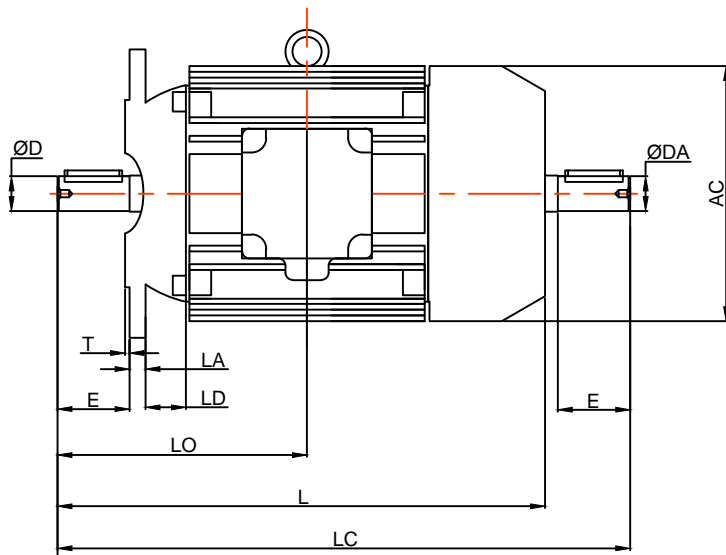


# C R MOTORS PRIVATE LIMITED

## DIMENSION CHART FOR FLANGE MOUNTED MOTORS [B5] Ref : IS 2223 - 1983



EA -Double side shaft on request      Dimensions in mm

### FLANGE MOUNTED MOTORS 'B' TYPE[B5]

FRAME SIZE	FLANGE	$\pm 0.3$ M	N	P MAX	S	T MAX	LA	LD MIN	L	LC	LO	AD	AC	$\text{ØD, ØDA}$	E	F,FA	GA,GC	GB	D3	GD	GE
63	F115B	115	95J6	140	10	3	9	16	208	231	103	-	118	11J6	23	4	12.5	8.5	M4	4	2.5
71	F130B	130	110J6	160	10	3.5	9	16	249	285	120	115	140	14J6	30	5	16	11	M4	5	3
80	F165B	165	130J6	200	12	3.5	10	20	275	321	140	126	160	19J6	40	6	21.5	15.5	M6	6	3.5
90L	F165B	165	130J6	200	12	3.5	10	20	328	384	168	136	178	24J6	50	8	27	20	M8	7	4
100L	F215B	215	180J6	250	15	4	11	24	372	438	193	150	208	28J6	60	8	31	24	M8	7	4
112M	F215B	215	180J6	250	15	4	11	24	388	454	200	168	225	28J6	60	8	31	24	M8	7	4
132S	F265B	265	230J6	300	15	4	12	24	445	531	239	210	260	38K6	80	10	41	33	M12	8	5
132M	F265B	265	230J6	300	15	4	12	24	483	569	258	210	260	38K6	80	10	41	33	M12	8	5
160M	F300B	300	250J6	350	19	5	13	30	580	695	322	215	305	42K6	110	12	45	37	M16	8	5
160L	F300B	300	250J6	350	19	5	13	30	624	742	354	215	305	42K6	110	12	45	37	M16	8	5